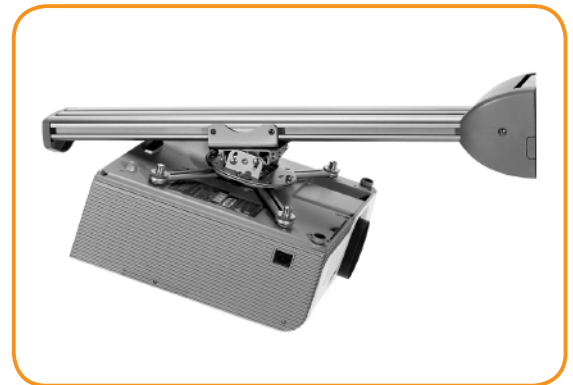


The Telehook ProAV short throw projector wall mount range is a complete mounting solution that is suitable for a variety of mounting situations. It is designed for use in a large range of professional and home mounting situations and is modular, interchangeable and upgradeable. The ProAV range is designed with the needs of public environments and installers in mind; integrating high security features throughout to ensure projector security whilst also maintaining ease of installation via the use of clever time saving and safe installation features. The Telehook ProAV range is the ultimate mounting solution for all projector mounting environments.



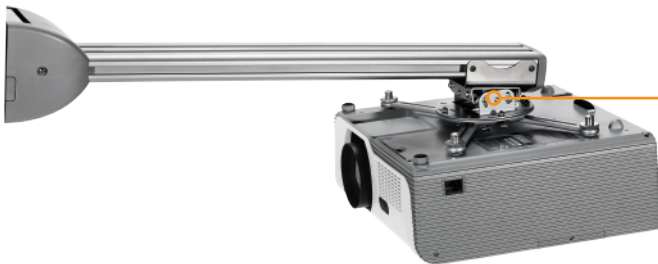
Product key features:

- Designed for use with short throw projectors
- Maximum supported weight:** 25kgs (55lbs)
- Security screws at all connection and adjustment points
- Solid Steel and Aluminium construction
- Quick and easy installation with a simple hook-in-place attachment system



Universal mounting interface suits most short throw projectors

TH-PS-S Short throw projector wall mount | Single stud



Designed to be fixed to a single (TH-PS-S) or dual (TH-PS-DAU) stud timber stud or masonry walls

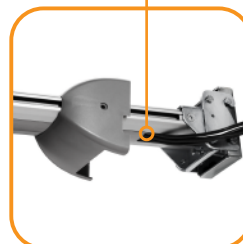


High range of pitch, roll, tilt and yaw adjustment*

TH-PS-DAU Short throw projector wall mount | Dual stud



Internal cable management with cable entry/exit push outs at wall plate



Product information

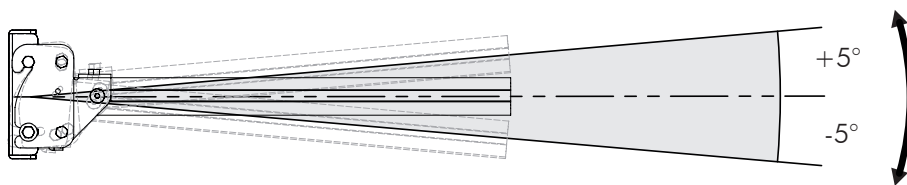
Product Code	Load capacity	Material	Colour
TH-PS-S TH-PS-DAU	25kgs (55lbs)	Steel/Aluminium	Silver

Package information, single unit

Size	Ship weight	UPC code	Contents
TH-PS-S: 95cm x 35cm x 22cm TH-PS-DAU: 157cm x 35cm x 22cm	10.5kg 16.5kg	881493008038 881493008328	All hardware required for installation supplied

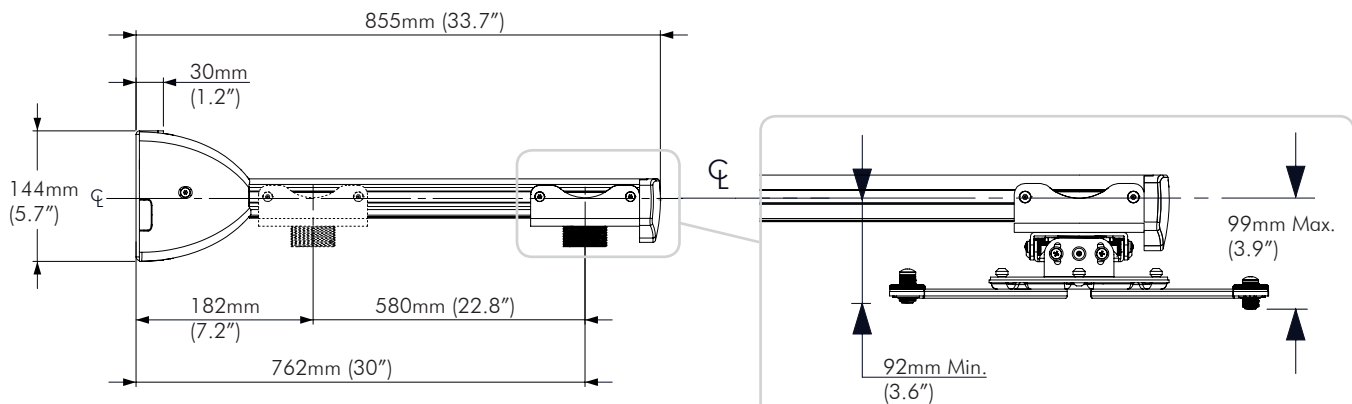
Technical drawings

Arm adjustment

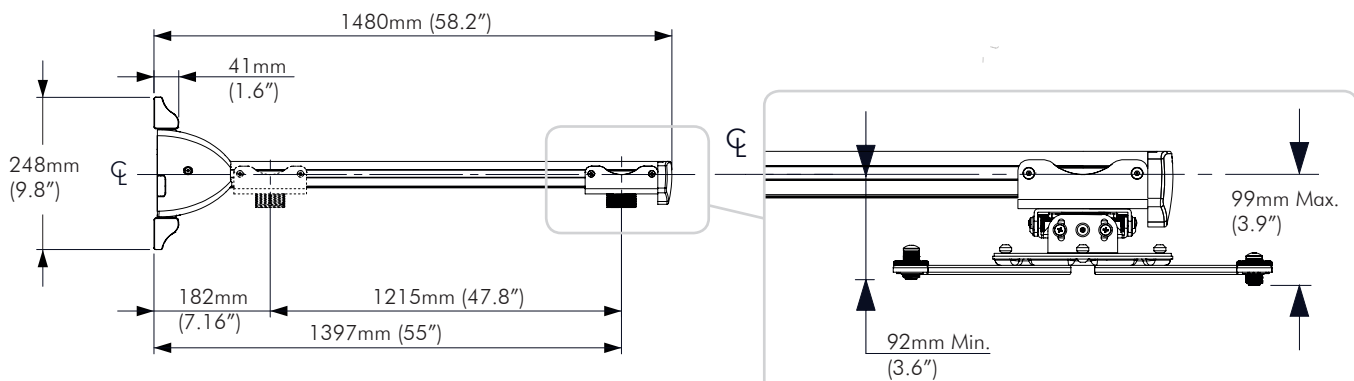


The Support Arm can be adjusted by +/- 5° to account for wall slope or individual projector characteristics.

TH-PS-S dimensions



TH-PS-DAU dimensions



Atdec mounts are designed, developed and tested in Australia. While all efforts have been made to ensure the information in this brochure was correct as of the date of printing, we reserve the right to change specifications without notice. Please refer to the website for our full range along with the latest details on specifications, compatibility and dealer location. Atdec and Telehook are registered trademarks with all rights reserved. Copyright July 2013.



Atdec Global www.atdec.com.au
Atdec North America www.atdec.com